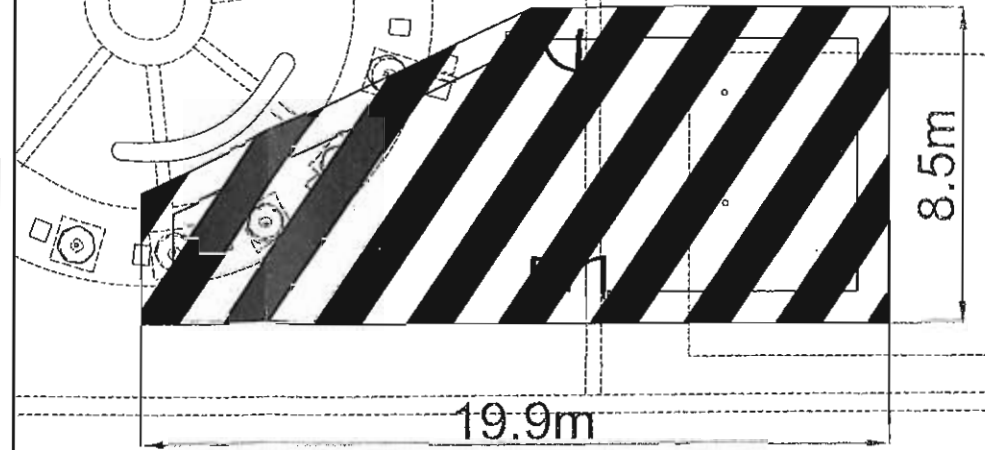


SCALE: 1:500

HIGHWAY AT SHEFFIELD IN THE CITY OF SHEFFIELD

LARGE KIOSK



SCALE: 1:200

THE MOOR

ROCKINGHAM GATE

ROCKINGHAM WAY

FURNIVAL GATE

THE MOOR

THE MOOR

20.5m


LARGE KIOSK

MATILDA STREET

UNIT B

UNIT A

Key (Inset) Scale 1:500 Scale 1:200)

Highway to be stopped up 

National Transport Casework Team
Department for Transport
Plan No: NATTRAN/Y&H/S247/751

Post Code: S1 4PF
OS Grid Ref: 435160, 386797

Signed by Authority of the Secretary of State
on.....
Signature.....

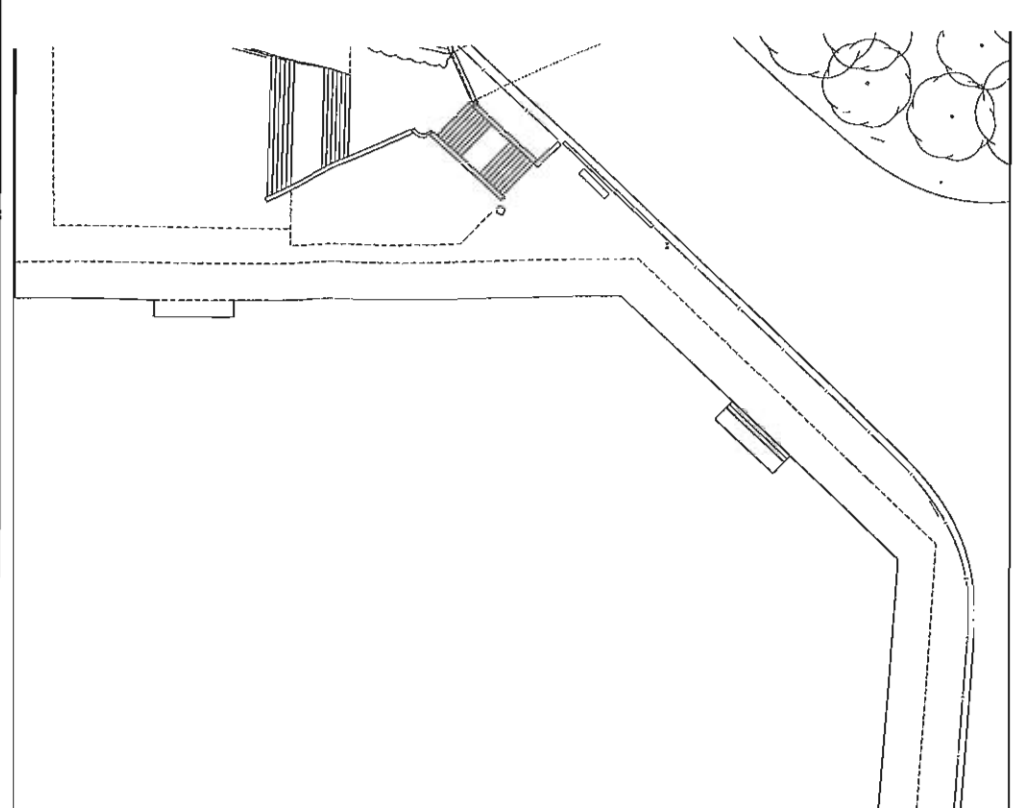
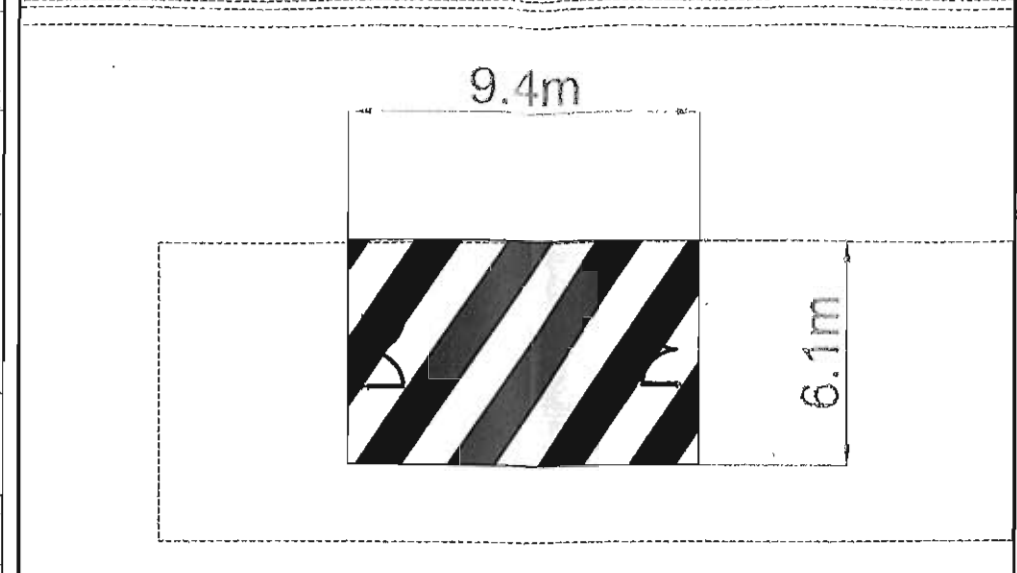
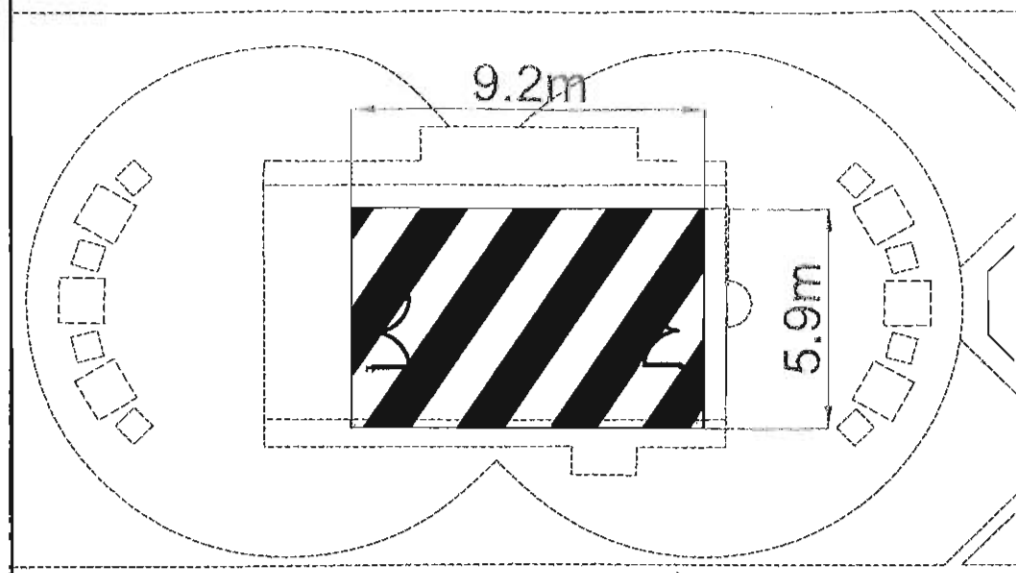
VICTORIA POINTER
An Official in the
National Transport Casework Team
Department for Transport

APPENDIX A

SMALL KIOSK A

SMALL KIOSK B

HIGHWAYS AT SHEFFIELD IN THE CITY OF SHEFFIELD



THE MOOR

THE MOOR

SCALE: 1:200

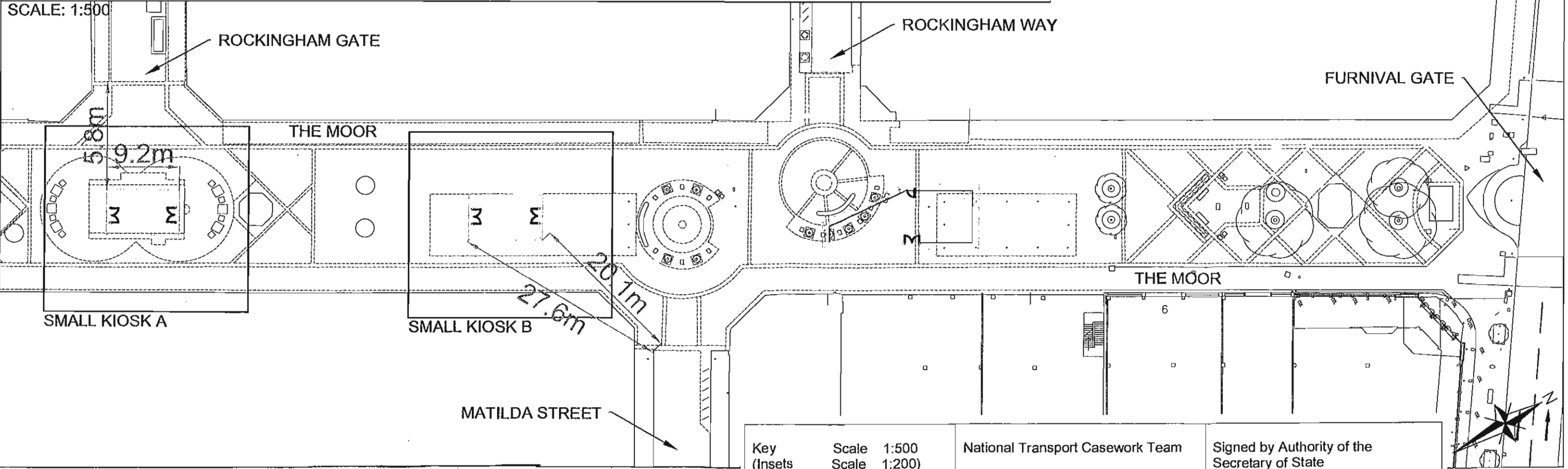
SCALE: 1:200

SCALE: 1:500

ROCKINGHAM GATE

ROCKINGHAM WAY

FURNIVAL GATE



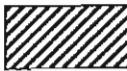
SMALL KIOSK A

SMALL KIOSK B

MATILDA STREET

APPENDIX B

Key Scale 1:500
 (Insets Scale 1:200)

Highway to be stopped up 

National Transport Casework Team
 Department for Transport
 Plan No: NATTRAN/Y&H/S247/752

Post Code: S1 4PF
 OS Grid Ref: 435160, 386797

Signed by Authority of the Secretary of State

on.....
 Signature.....

VICTORIA POINTER
 An Official in the
 National Transport Casework Team
 Department for Transport